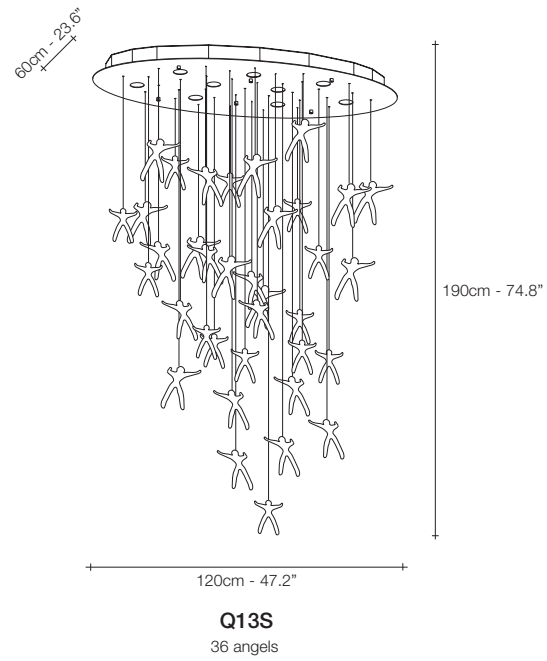
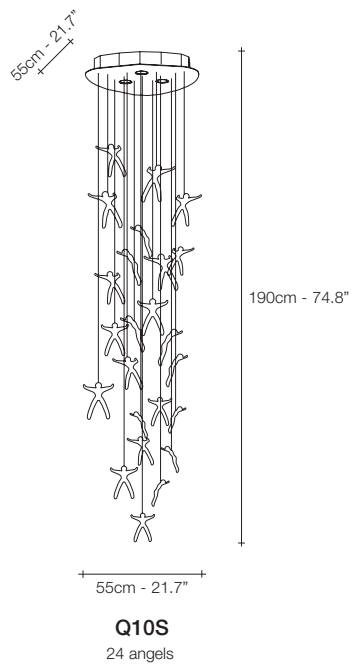
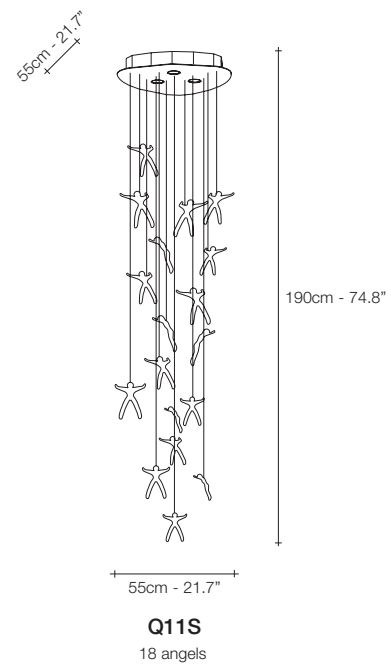
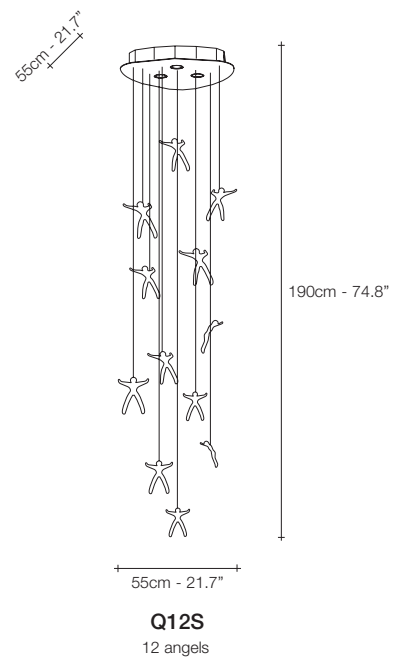
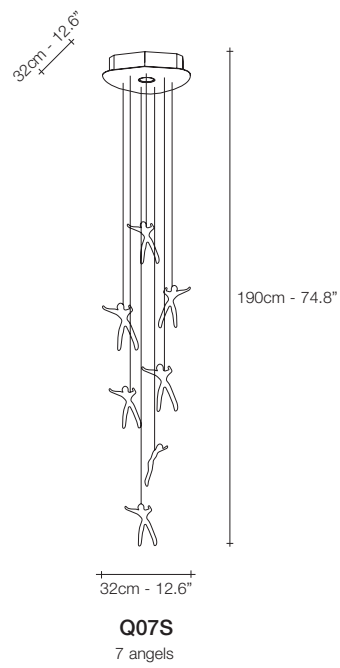


# Angel Falls, Cast down *Earth.*

For his first work for Terzani, Nigel Coates, well known for his unorthodox approach to design, has created an engaging, unique light. Customizable groups of crystal “angels” are illuminated by halogen lamps. What caused these angels to fall from the heavens? It’s up to the viewers to decide. Either way, angel falls is sure to garner attention, and generate conversation, in any setting. Design Nigel Coates.







CRYSTAL

| LIGHT SOURCE |                 | Q07S | Q12S | Q11S | Q10S | Q13S |
|--------------|-----------------|------|------|------|------|------|
| 230V         | <b>GU10 LED</b> | 5W   | 3x5W | 3x5W | 3x5W | 9x4W |
|              | Dimmable        | ✓    | ✓    | ✓    | ✓    | ✓    |
| 120V         | <b>GU10 LED</b> | 7W   | 3x7W | 3x7W | 3x7W | 9x6W |
|              | Dimmable        | ✓    | ✓    | ✓    | ✓    | ✓    |

